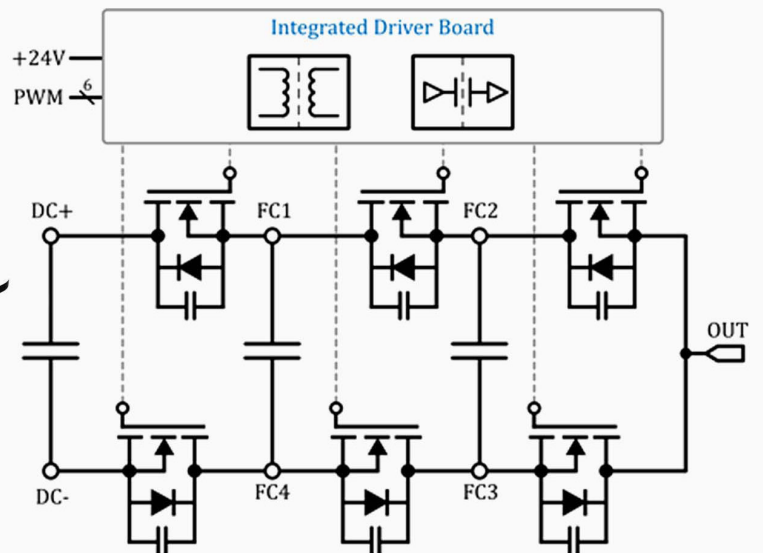
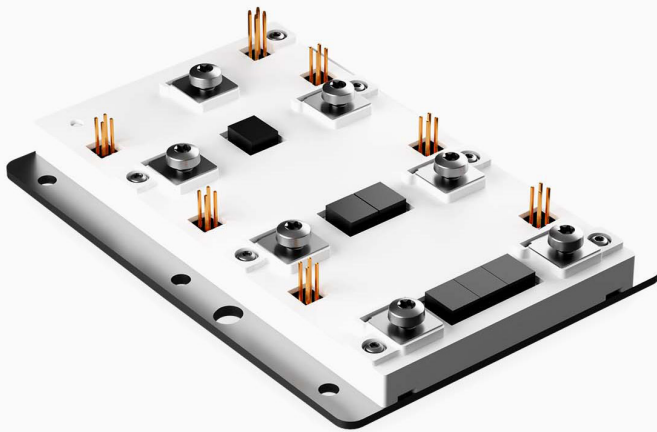


Multi-Level Flying Capacitor (1/2)



Specifications

Multi-Level Flying Capacitor Topology

Voltage rating: up to 3.6 kV

RdsOn: < 20 mOhm

Compact module with baseplate (108 cm³)

Integrated gate driver

Integrated decoupling + snubber

Optimized switching with critical power and gatedrive loop

Heatspreader and CuCorAl wirebonds

Optimized for pulse load applications (<200ms)

Broad experience in customized solutions for high power and High precision applications. Contact us

sales@prodrive-technologies.com